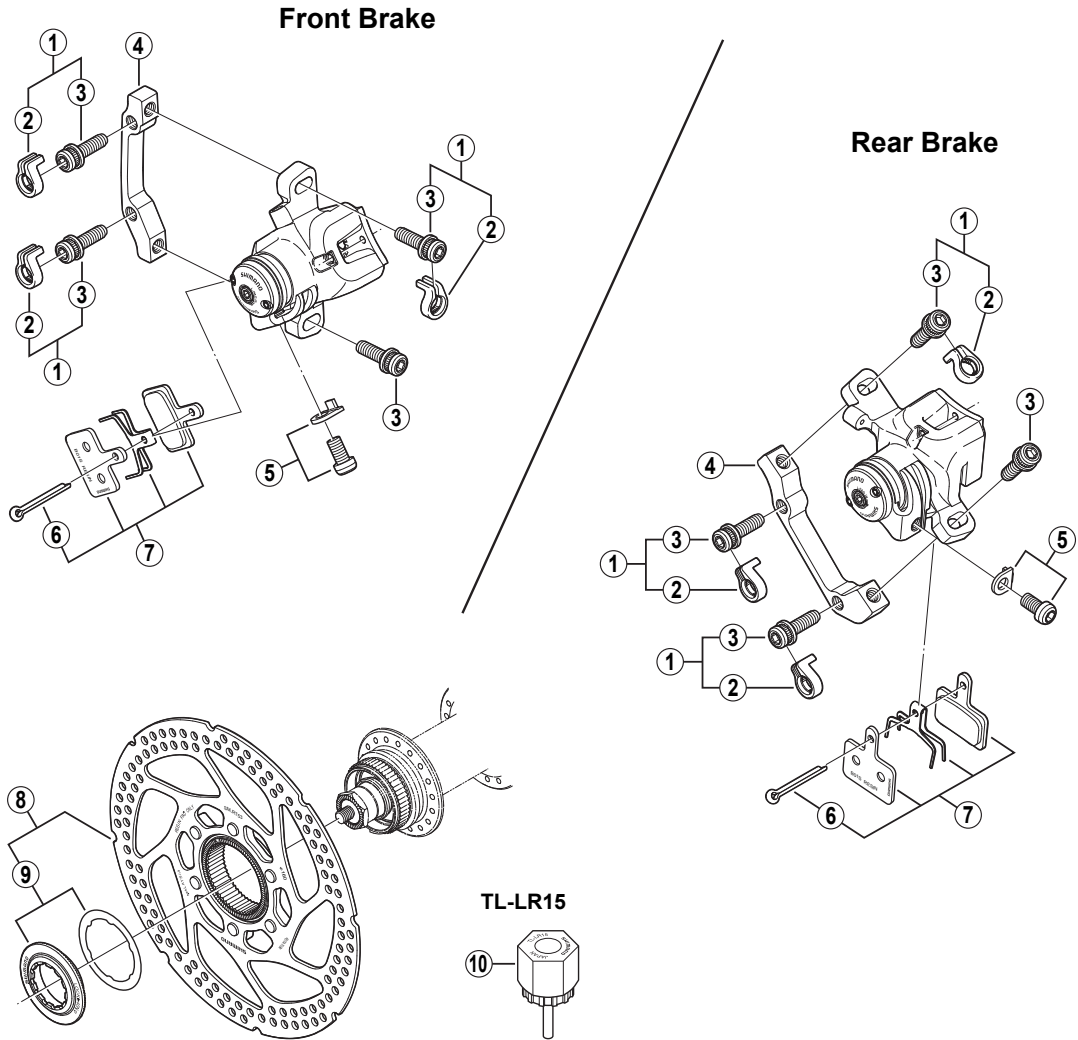


Disc Brake  
**BR-M465** Brake Caliper  
**SM-RT53** Disc Rotor



| ITEM NO. | SHIMANO CODE NO.   | DESCRIPTION                                 |
|----------|--------------------|---|
| 1        | <b>Y-8DS 98010</b> | Adapter Fixing Bolt (M6 x 18.7) & Stop Ring |
| 2        | <b>Y-8C5 11000</b> | Stop Ring                                   |
| 3        | <b>Y-8C5 09020</b> | Adapter Fixing Bolt (M6 x 18.7)             |
| 4        | <b>Y-8DB 11000</b> | A-Standard Mount Adapter for Front          |
|          | <b>Y-8DB 10000</b> | A-Standard Mount Adapter for Rear           |
| 5        | <b>Y-8A1 98010</b> | Cable Fixing Bolt (M6 x 9) & Plate          |
| 6        | <b>Y-8C5 05000</b> | Split Pin                                   |
| * 7      | <b>Y-8FH 98030</b> | Resin Pad (B01S) & Spring w/Split Pin       |
| * 8      | <b>E-SMRT53</b>    | SM-RT53 Disc Rotor Unit (φ160 mm)           |
| 9        | <b>Y-8HS 98030</b> | Lock Ring & Washer                          |
| 10       | <b>Y-120 09230</b> | TL-LR15 Lock Ring Removal Tool              |

0810-2395B

Specifications are subject to change without notice.

**SHIMANO**