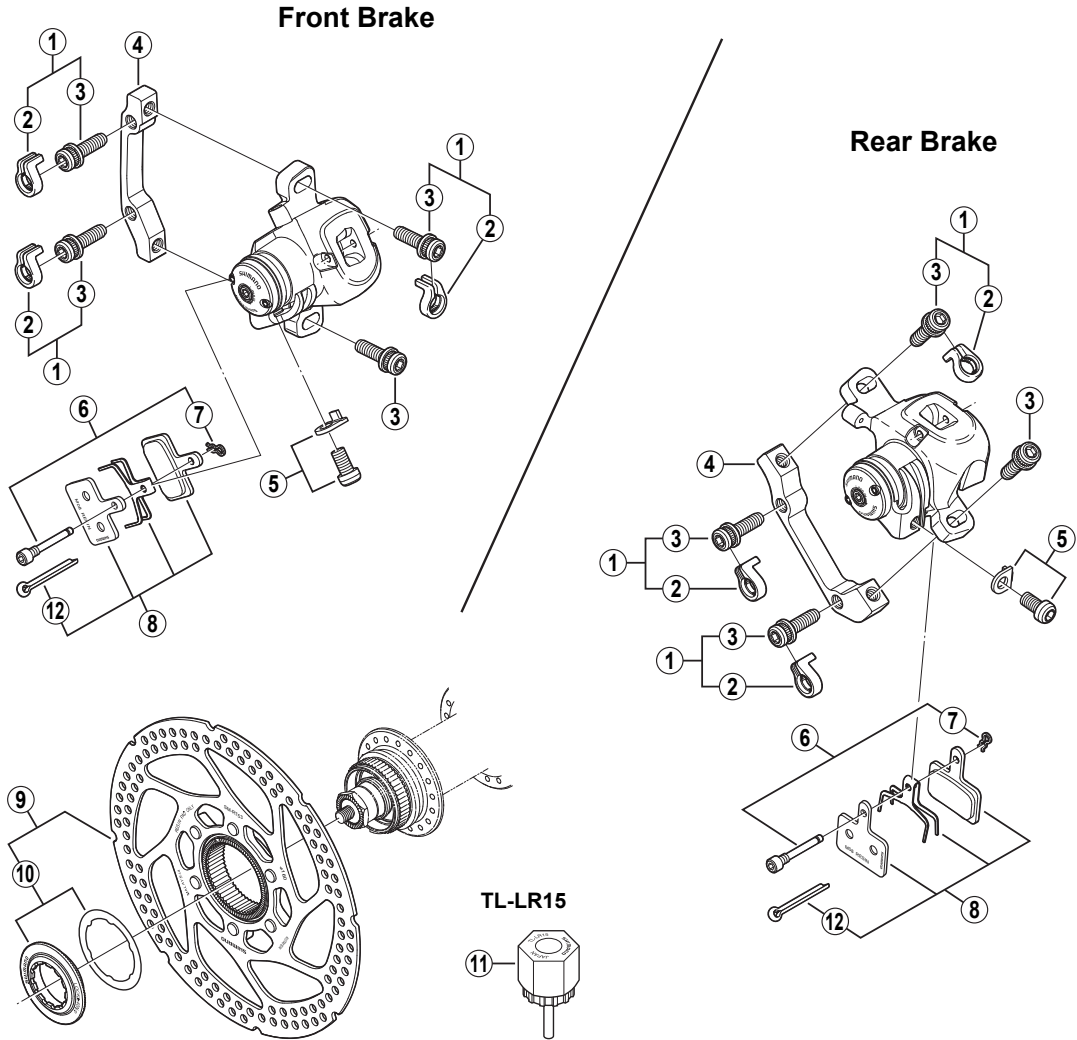


Disc Brake
BR-M495 Brake Caliper
SM-RT53 Disc Rotor



ITEM NO.	SHIMANO CODE NO.	DESCRIPTION
1	Y-8DS 98010	Adapter Fixing Bolt (M6 x 18.7) & Stop Ring
2	Y-8C5 11000	Stop Ring
3	Y-8C5 09020	Adapter Fixing Bolt (M6 x 18.7)
4	Y-8DB11000	A-Standard Mount Adapter for Front
	Y-8DB10000	A-Standard Mount Adapter for Rear
5	Y-8A1 98010	Cable Fixing Bolt (M6 x 9) & Plate
6	Y-8B6 98050	Pad Axle & Snap Ring
7	Y-8B2 12000	Snap Ring
* 8	Y-8C9 98040	Resin Pad (M08) & Spring w/Split Pin
* 9	E-SMRT53	SM-RT53 Disc Rotor Unit (φ160 mm)
10	Y-8HS 98030	Lock Ring & Washer
11	Y-120 09230	TL-LR15 Lock Ring Removal Tool
* 12	Y-8C5 05000	Split Pin

0810-2394B

Specifications are subject to change without notice.

SHIMANO