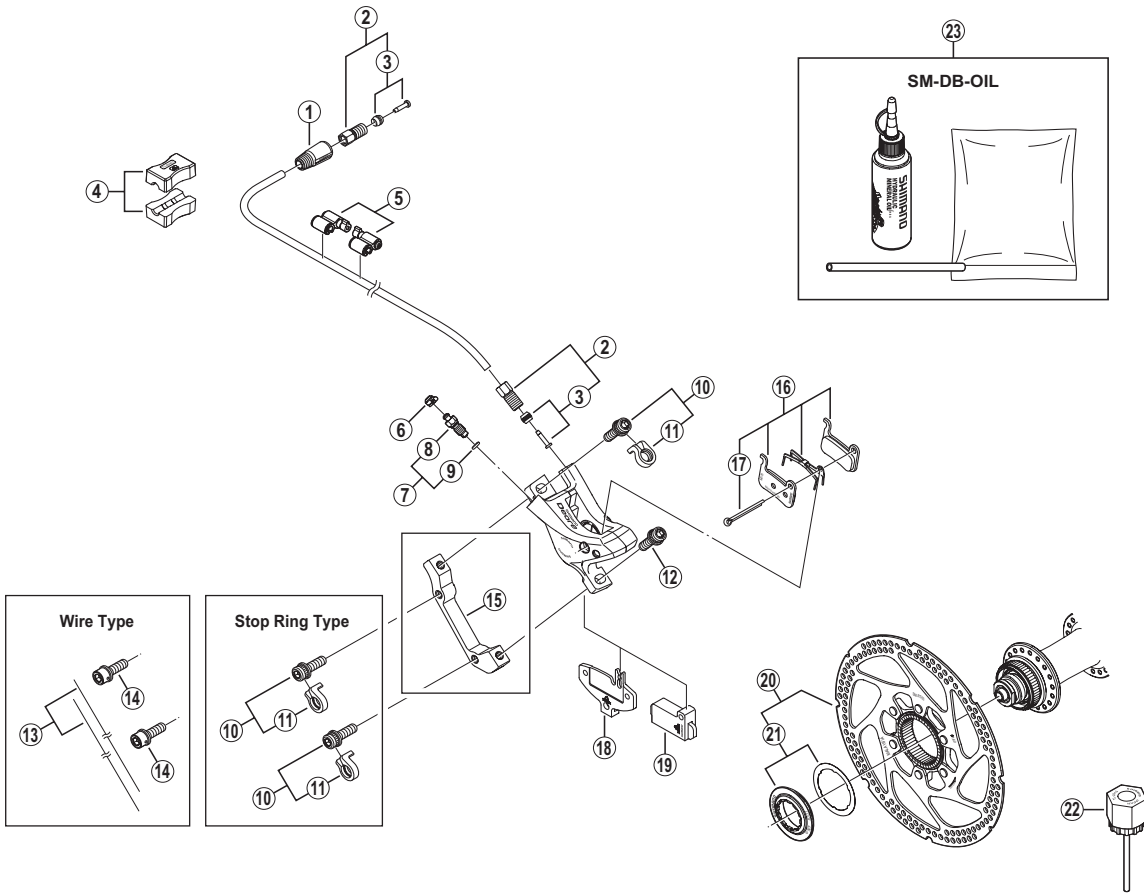


2006

DEORE Rear Disc Brake

**BR-M535** Brake Caliper  
**SM-RT63** Disc Rotor

**SM-BH59** Brake Hose



ITEM NO.	SHIMANO CODE NO.	DESCRIPTION
1	Y-8H2 03010	Cover
2	Y-8H2 98010	Connecting Bolt Unit
3	Y-8H2 98020	Olive & Connecting Insert
4	Y-8H1 98030	TL-BH61 Special Tool (2 pcs.)
5	Y-830 98040	SM-HANG Hose Supporter A & B
6	Y-8B2 14000	Bleed Nipple Cap
7	Y-8CL 98050	Bleed Nipple & Seal Ring
8	Y-8CL 24000	Bleed Nipple
9	Y-8B5 11001	O-Ring for Bleed Nipple
10	Y-8DS 98010	Adapter Fixing Bolt (M6 x 18.7) & Stop Ring
11	Y-8C5 11000	Stop Ring
12	Y-8C5 09020	Adapter Fixing Bolt (M6 x 18.7) for Stop Ring Type
13	Y-8B2 98010	Wire (2 pcs.)
14	Y-8B5 12000	Adapter Fixing Bolt (M6 x 19) for Wire Type
15	Y-8DB 10000	A-Standard Mount Adapter for Disc Rotor $\phi$ 160 mm
16	Y-8CY 98010	Resin Pad (M07S) & Spring w/Split Pin
	Y-8CL 98010	Metal Pad (M06) & Spring w/Split Pin
17	Y-8DB 06000	Split Pin
18	Y-8CL 12000	Pad Spacer
19	Y-8CL 18000	Spacer for Bleeding
20	Y-8HP 98010	SM-RT63 Disc Rotor Unit ( $\phi$ 160 mm)
21	Y-8HS 98030	Lock Ring & Washer
22	Y-120 09230	TL-LR15 Lock Ring Removal Tool
23	Y-839 98010	Mineral Oil Bleed Kit (50 ml)

0505-2470

