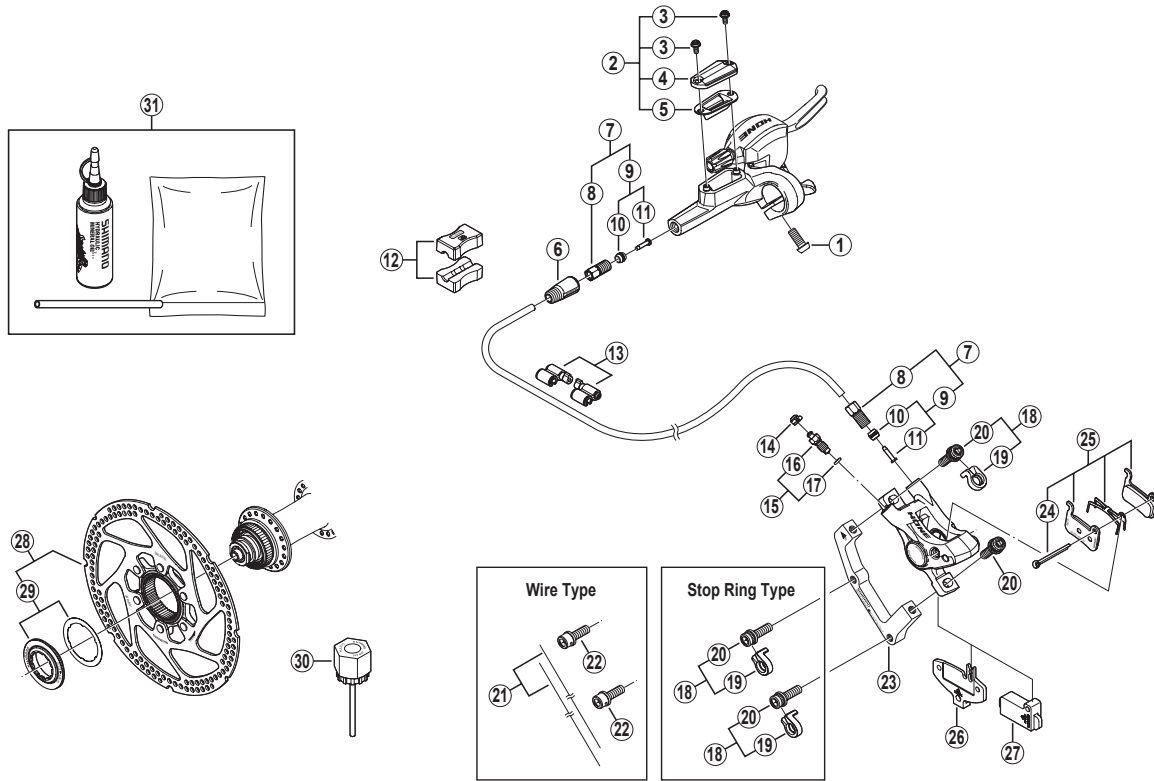


HONE Rear Disc Brake  
**BR-M601** Brake Caliper  
**2005 ST-M600** Dual Control Lever

**SM-RT62** Disc Rotor  
**SM-BH59** Brake Hose

**SM-DB-OIL** Mineral Oil  
**SM-HANG** Hose Supporter



ITEM NO.	SHIMANO CODE NO.	DESCRIPTION
1	Y-8SB 10000	Clamp Bolt (M6 x 14.8)
2	Y-6JY 98060	R.H. Lid Unit
3	Y-8SY 24000	Lid Fixing Screw (M3 x 8)
4	Y-8S4 07040	R.H. Lid
5	Y-8S1 06000	Diaphragm
6	Y-8H2 03010	Cover
7	Y-8H2 98010	Connecting Bolt Unit
8	Y-8H2 01000	Connecting Bolt
9	Y-8H2 98020	Olive & Connecting Insert
10	Y-8H2 04000	Olive
11	Y-8H2 02000	Connecting Insert
12	Y-8H1 98030	TL-BH61 Special Tool (2 pcs.)
13	Y-830 98040	Hose Supporter A & B
14	Y-8B2 14000	Bleed Nipple Cap
15	Y-8CL 98050	Bleed Nipple & Seal Ring
16	Y-8CL 24000	Bleed Nipple
17	Y-8B5 11001	O-Ring for Bleed Nipple
18	Y-8C4 98010	Adapter Fixing Bolt & Stop Ring
19	Y-8C5 11000	Stop Ring
20	Y-8C5 09000	Adapter Fixing Bolt (M6 x 20) for Stop Ring Type
21	Y-8B2 98010	Wire (2 pcs.)
22	Y-8B5 12000	Adapter Fixing Bolt (M6 x 19) for Wire Type
23	Y-8CZ 01010	A-Standard Mount Adapter (SM-MA-R203P/S) for Disc Rotor $\phi$ 203 mm
24	Y-8DB 06000	Split Pin
* 25	Y-8CL 98010	Metal Pad (M06) & Spring w/Split Pin
* 25	Y-8CY 98010	Resin Pad (M07S) & Spring w/Split Pin
26	Y-8CL 12000	Pad Spacer
27	Y-8CL 18000	Spacer for Bleeding
28	Y-8HS 98020	Disc Rotor Unit ( $\phi$ 203 mm)
29	Y-8HS 98030	Lock Ring & Washer
30	Y-120 09230	TL-LR15 Lock Ring Removal Tool
31	Y-839 98010	Mineral Oil Bleed Kit (50 ml)

0407-2377A

