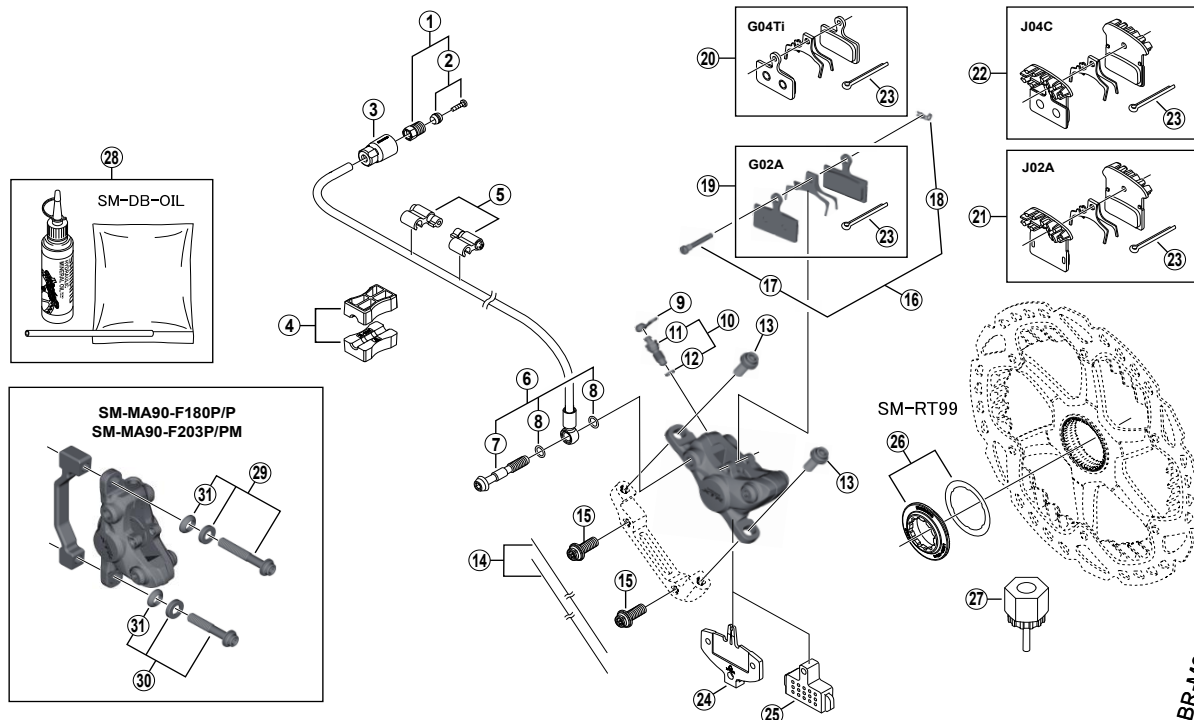


XTR Disc Brake
BR-M9000 Brake Caliper
SM-BH90-SBM Brake Hose

SM-RT99 Disc Rotor/Center Lock



BR-M987
BR-M9020

| ITEM NO. | SHIMANO CODE NO. | DESCRIPTION | INTERCHANGEABILITY |
|----------|------------------|---|--------------------|
| 1 | Y8JA98010 | Connecting Bolt Unit | A |
| 2 | Y8JA98020 | Olive & Connector Insert | A |
| 3 | Y8JA07000 | Cover | B A |
| 4 | Y8H198030 | TL-BH61 Special Tool (2 pcs.) | A |
| 5 | Y83098040 | SM-HANG Hose Supporter A & B | A |
| 6 | Y8LF98030 | Banjo Bolt & O-Ring | A |
| 7 | Y8JA09000 | Banjo Bolt | A |
| 8 | Y8SY28000 | O-Ring | A |
| 9 | Y8B214000 | Bleed Nipple Cap | A |
| 10 | Y8LF98010 | Bleed Nipple & Seal Ring | A |
| 11 | Y8LF09000 | Bleed Nipple | A |
| 12 | Y8B511001 | O-Ring for Bleed Nipple | A |
| 13 | Y8LF08000 | Caliper Fixing Bolt (M6 x 14.6) | A |
| 14 | Y8B298010 | Wire (2 pcs.) | A |
| 15 | Y8J721000 | Caliper Fixing Bolt (M6 x 15.2) | A |
| 16 | Y8LF98020 | Pad Axle & Snap Retainer | |
| 17 | Y8LF11000 | Pad Axle | B |
| 18 | Y8J716000 | Snap Retainer | A |
| 19 | Y8LW98020 | Resin Pad (G02A) & Spring w/Split Pin | A |
| 20 | Y8LW98010 | Metal Pad (G04Ti) & Spring w/Split Pin | A |
| 21 | Y8LW98040 | Resin Pad (J02A) w/Fin & Spring w/Split Pin | B A |
| 22 | Y8LW98030 | Metal Pad (J04C) w/Fin & Spring w/Split Pin | B A |
| 23 | Y8DB06100 | Split Pin | A |
| 24 | Y8J709000 | Pad Spacer | A |
| 25 | Y8J712000 | Bleeding Spacer | A |
| 26 | Y8K198010 | Lock Ring & Washer | A |
| 27 | Y12009230 | TL-LR15 Lock Ring Removal Tool | A |
| 28 | Y83998010 | Mineral Oil Bleed Kit (50 ml) | A |
| * 29 | Y8LF98040 | Caliper Fixing Bolt Unit (M6 x 36.3) for SM-MA90-F180P/P | A A |
| * 29 | Y8JB98010 | Caliper Fixing Bolt Unit (M6 x 38.6) for SM-MA90-F203P/PM | A A |
| * 30 | Y8LF98050 | Caliper Fixing Bolt Unit (M6 x 30.5) for SM-MA90-F180P/P | A A |
| * 30 | Y8JB98020 | Caliper Fixing Bolt Unit (M6 x 32.8) for SM-MA90-F203P/PM | A A |
| * 31 | Y8LF12000 | R-Washer A | A A |

A: Same parts.

B: Parts are usable, but differ in materials, appearance, finish, size, etc.

Absence of mark indicates non-interchangeability.

Dec.-2014-3780A

© Shimano Inc. H

Specifications are subject to change without notice.

SHIMANO